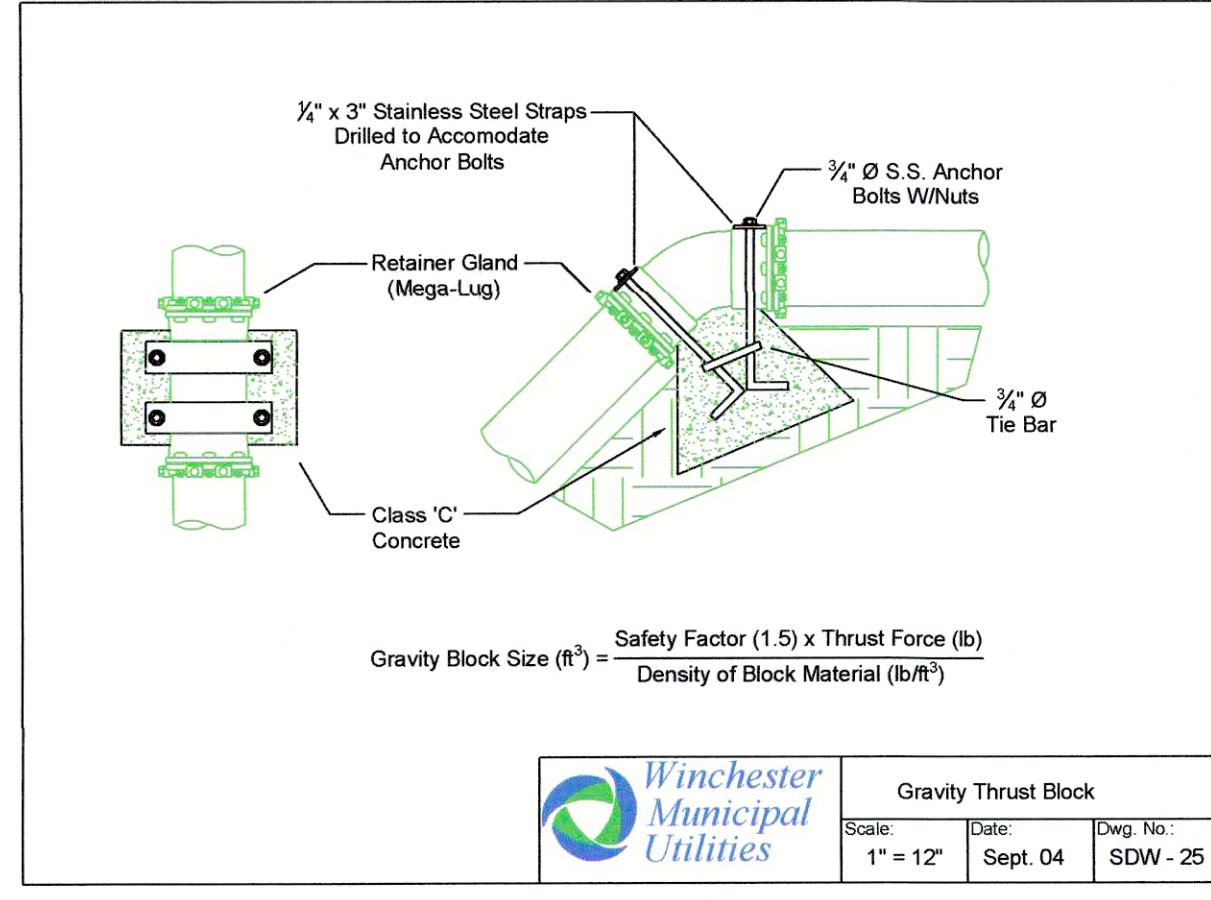
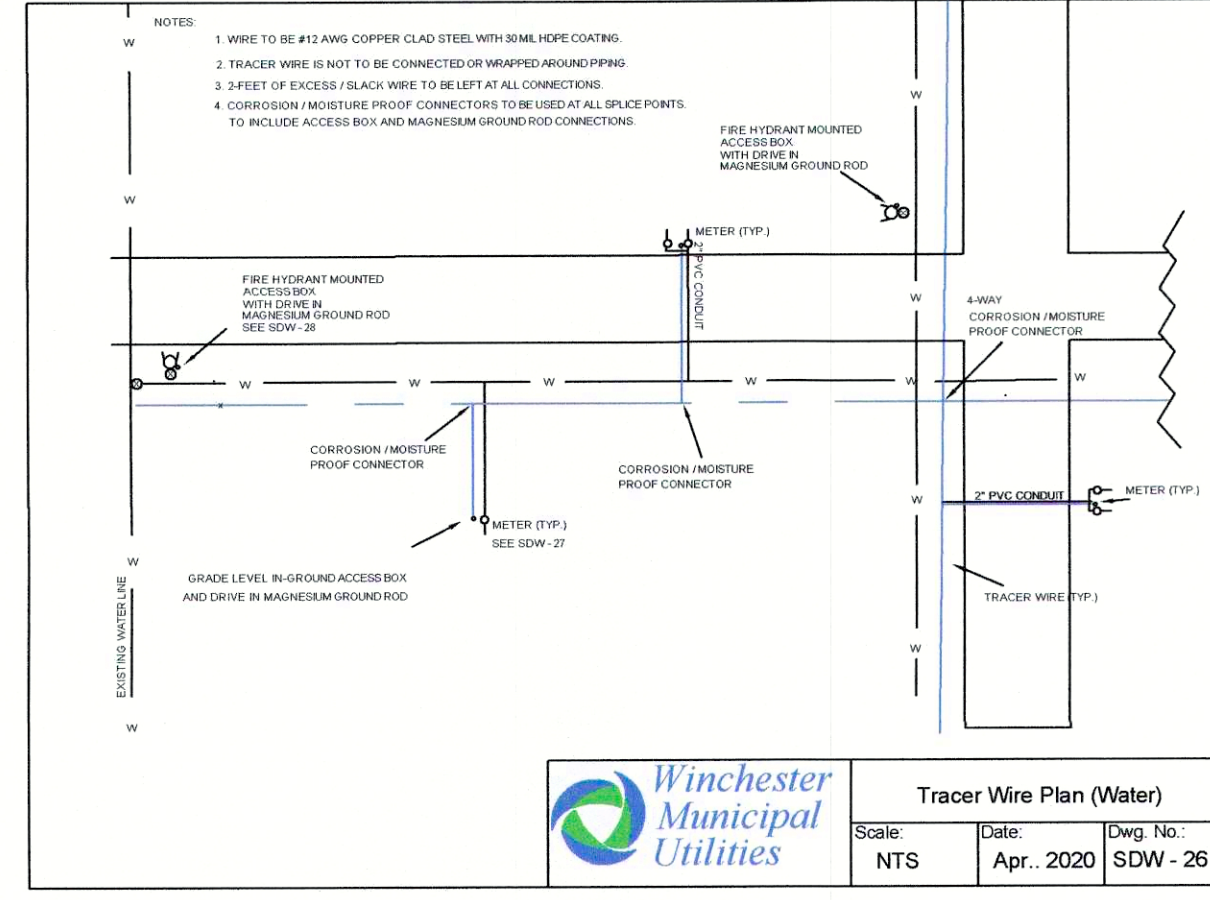


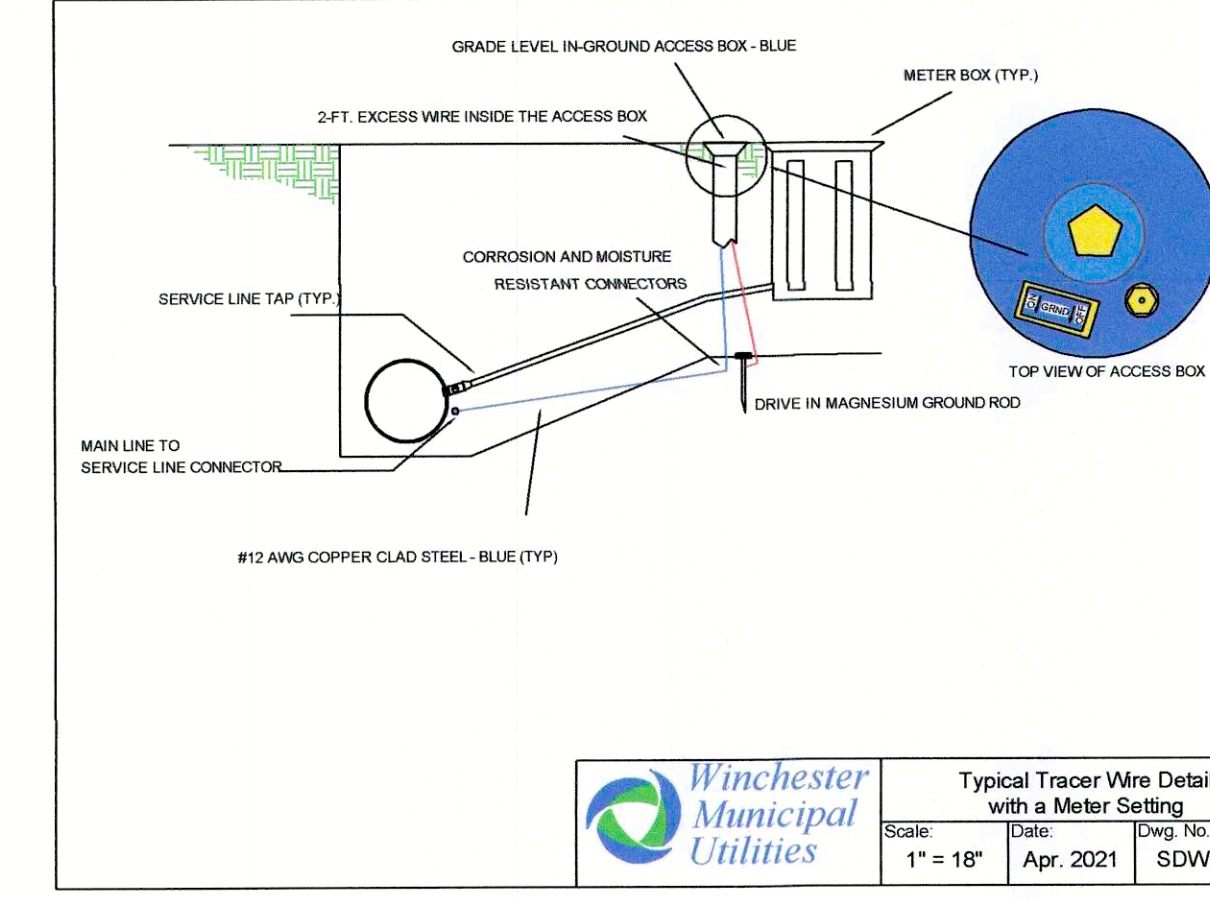
Winchester Municipal Utilities
Typical Small Size Meter
 Scale: 1" = 2.5" Date: Jul. 2022 Dwg. No.: SDW - 24



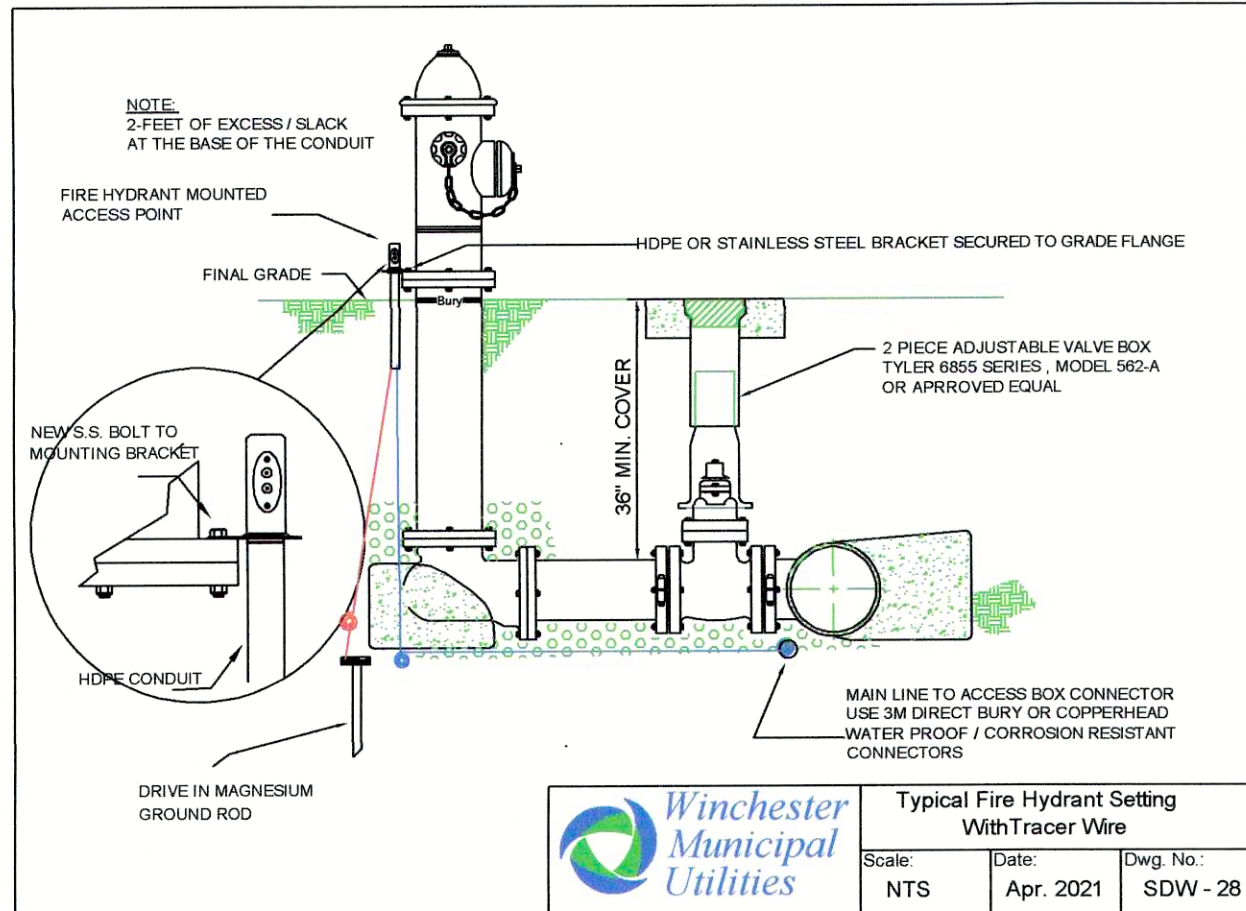
Winchester Municipal Utilities
Gravity Thrust Block
 Scale: 1" = 12" Date: Sept. 04 Dwg. No.: SDW - 25



Winchester Municipal Utilities
Tracer Wire Plan (Water)
 Scale: NTS Date: Apr. 2020 Dwg. No.: SDW - 26



Winchester Municipal Utilities
Typical Tracer Wire Detail with a Meter Setting
 Scale: 1" = 18" Date: Apr. 2021 Dwg. No.: SDW - 27



Winchester Municipal Utilities
Typical Fire Hydrant Setting With Tracer Wire
 Scale: NTS Date: Apr. 2021 Dwg. No.: SDW - 28



WATER DETAIL SHEETS 24 THRU 28

WINCHESTER MUNICIPAL UTILITIES

PLOTTED
 Jul. 2022 by RLL

Scale:	1" = XX	Date:	MM/YYYY
Drawn By:	XXX	Checked By:	XXX
Proj. Name:	XXX	Proj. No.:	XXX

SHEET
3 OF 3